

GRD TIER 3

Diesel Mechanical Grader

Technical Specifications Guide



AME
AUSTRALIAN MINING EQUIPMENT

PURPOSE BUILT INDUSTRY PROVEN

GRD TIER 3

Diesel Mechanical Grader

Product Overview

The AME Grader is a fully equipped machine designed for the confines and environment of an underground coal mine.

The AME Grader features industry leading ergonomic design that allows safe comfortable operation for extended periods. The Grader has the correct mass, tractive effort and tools to fair and maintain roadways in an underground coal mine.



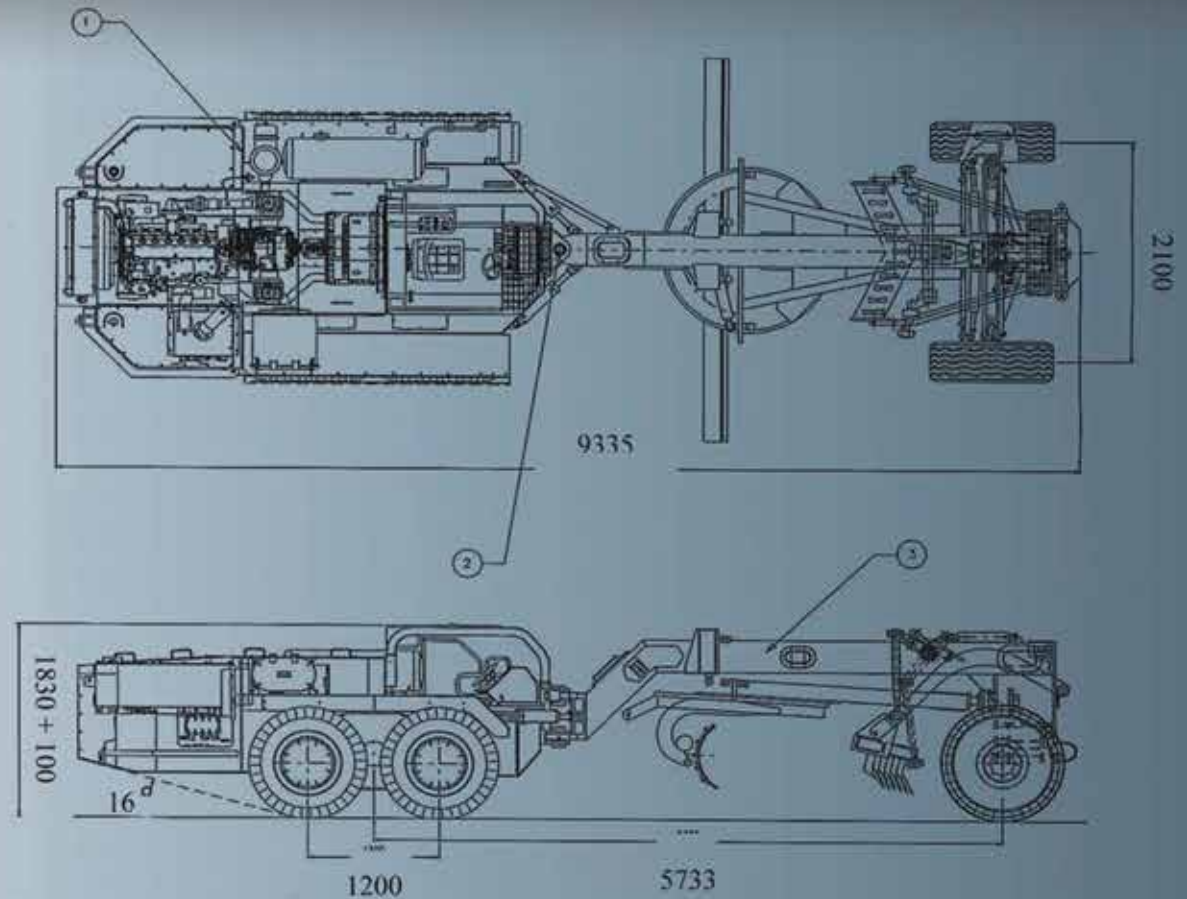
AME
AUSTRALIAN MINING EQUIPMENT



Installed **Tier 3** Diesel Engine System.

Specifications

Overall Length	9335 mm
Overall Width	2530 mm
Overall Height	1830/1930 mm
Wheel base	5733 mm
Mold board length	3658 mm
Installed Power	82 kW
Tare Weight	16.75 T
Draw Bar Pull	11 T
Grade speed	4 - 9 km/hr
Travel speed	20 km/hr



AME
AUSTRALIAN MINING EQUIPMENT

PURPOSE BUILT INDUSTRY PROVEN

AME

230 Old Maitland Road
Hexham NSW 2322

T: +61 2 4028 0400

E: sales@amequip.com.au



 www.amequip.com.au