

55/70T LWC

Longwall Chock Carrier

Technical Specifications Guide



AME
AUSTRALIAN MINING EQUIPMENT

PURPOSE BUILT INDUSTRY PROVEN

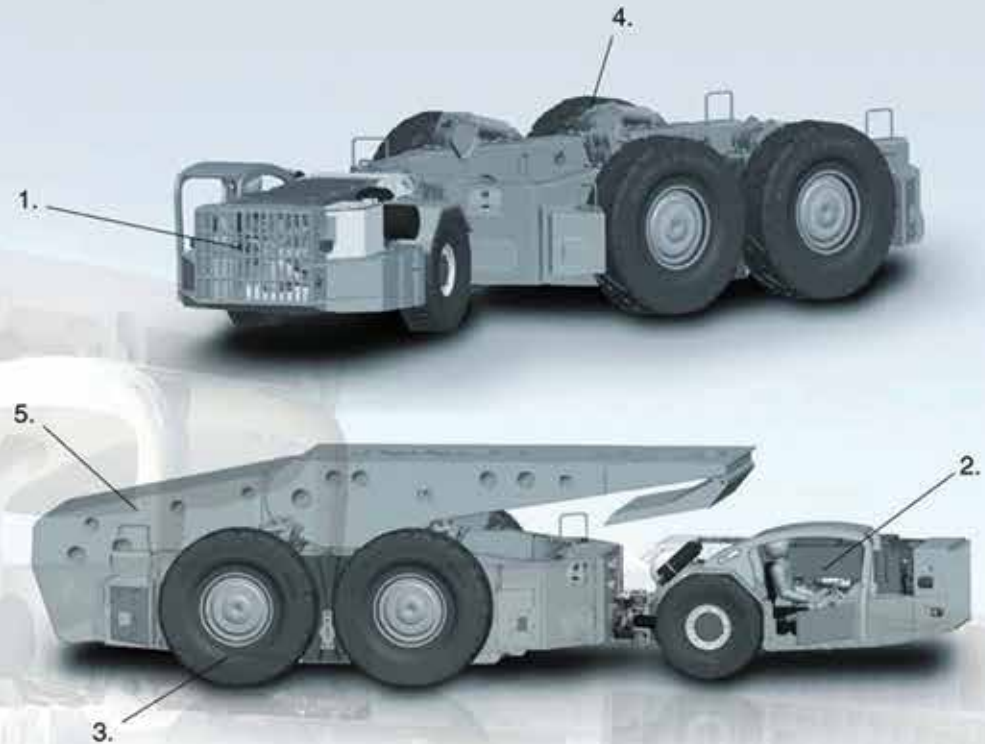
LWC

Longwall Chock Carrier

The AME Chock Carrier is purpose built to handle heavy chocks in your mine. The Chock Carrier will take in stride a wet grade, poor floor or low workings as it carries the chock with mass directly over the drive wheels.

Basic Features

- Drive wheels directly under the load for maximum traction at all times
- Four (4) radial tyres under the pay load to minimize ground pressure
- Single articulation for maximum manoeuvrability and control
- Automatic Forced Differential (AFD) steering system
- Retardation control system for tight control on declines
- Travelling clearance set by chock collapsed height
- Purpose built for moving heavy chocks safely and efficiently



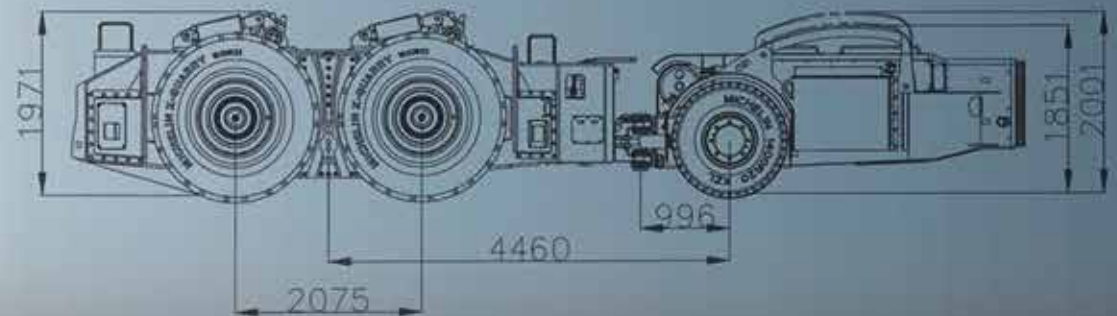
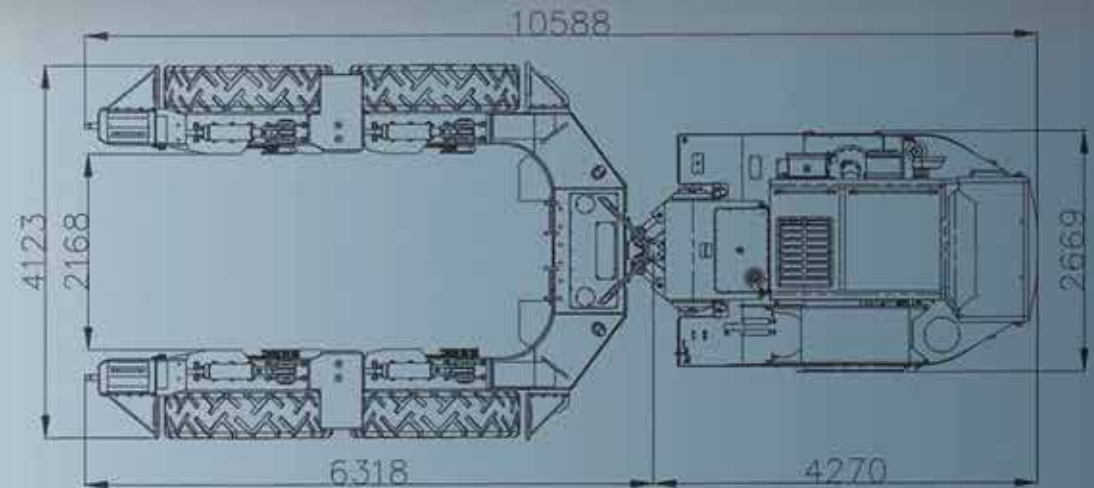
1. Diesel Engine System 2. Drivers Compartment 3. Drive Wheels 4. Lifting Mechanism 5. 62 Tonne Rated Chock

AME
AUSTRALIAN MINING EQUIPMENT

Installed **Tier 3** Diesel Engine System.

Specifications

Specifications	55T 4WD	70T 4WD
Overall Length	10184 mm	10588 mm
Overall Width	3700 mm	4123 mm
Overall Height	1860 mm	1971 mm
Payload Width	1752/2123 mm	2123 mm
Ground Clearance	286 mm	286 mm
Installed Power	242 kW	242 kW
Tare Weight	32 T	33.7 T
Draw Bar Pull	24.7 T	26.1 T
Carry speed	10 km/hr	10 km/hr
Travel speed	20 km/hr	20 km/hr



PURPOSE BUILT INDUSTRY PROVEN

AME

230 Old Maitland Road
Hexham NSW 2322

T: +61 2 4028 0400

E: sales@amequip.com.au



 www.amequip.com.au